



US00D372041S

United States Patent [19]
Reizenstein

[11] **Patent Number: Des. 372,041**
[45] **Date of Patent: **Jul. 23, 1996**

[54] **GUITAR**

[76] **Inventor: Michael Reizenstein, 111 Orchard St., Yonkers, N.Y. 10703**

[**] **Term: 14 Years**

[21] **Appl. No.: 35,940**

[22] **Filed: Mar. 9, 1995**

[52] **U.S. Cl. D17/14; D17/18; 84/267**

[58] **Field of Search D17/14, 15, 18, D17/19; 84/267, 291-293, 327**

[56] **References Cited**

U.S. PATENT DOCUMENTS

D. 221,477	8/1971	Turner	D17/14
D. 224,154	7/1972	Gilbert	D17/14
3,251,257	5/1966	Bunker	84/267
4,311,078	1/1982	Falgares	84/267
4,785,705	11/1988	Patterson	84/327

Primary Examiner—Sandra L. Morris
Assistant Examiner—Adir Aronovich
Attorney, Agent, or Firm—Charles E. Temko

[57] **CLAIM**

The ornamental design for a guitar, as shown and described.

DESCRIPTION

FIG. 1 is a top plan view of a guitar showing my new design; FIG. 2 is an end elevational view thereof; FIG. 3 is an end elevational view thereof showing the side opposite that seen in FIG. 2; FIG. 4 is a side elevational view thereof; FIG. 5 is a side elevational view thereof showing the side opposite that seen in FIG. 4; and, FIG. 6 is a bottom plan view thereof; FIG. 7 is a reduced bottom perspective view thereof; and, FIG. 8 is a reduced top perspective view thereof.

1 Claim, 6 Drawing Sheets

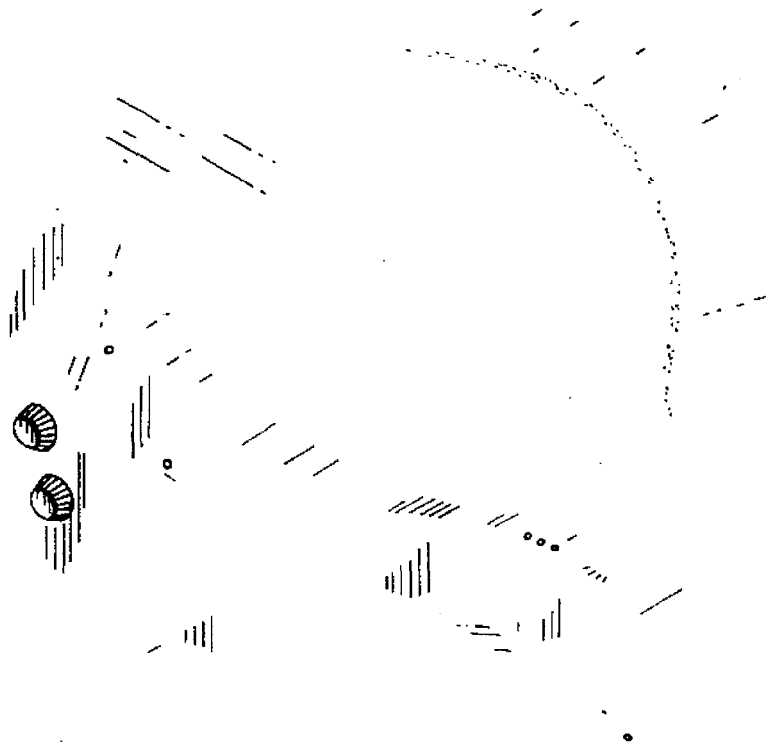
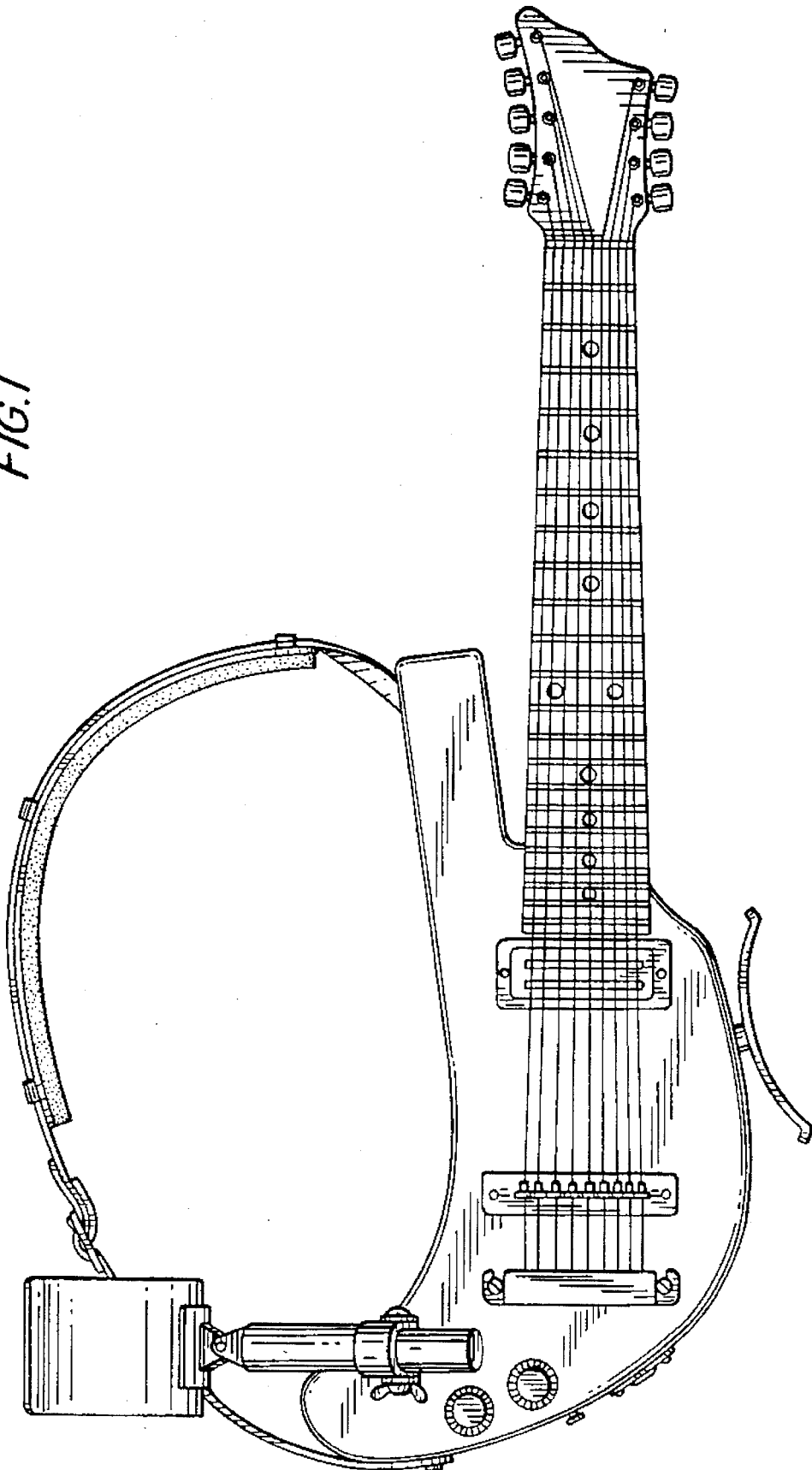


FIG. 1



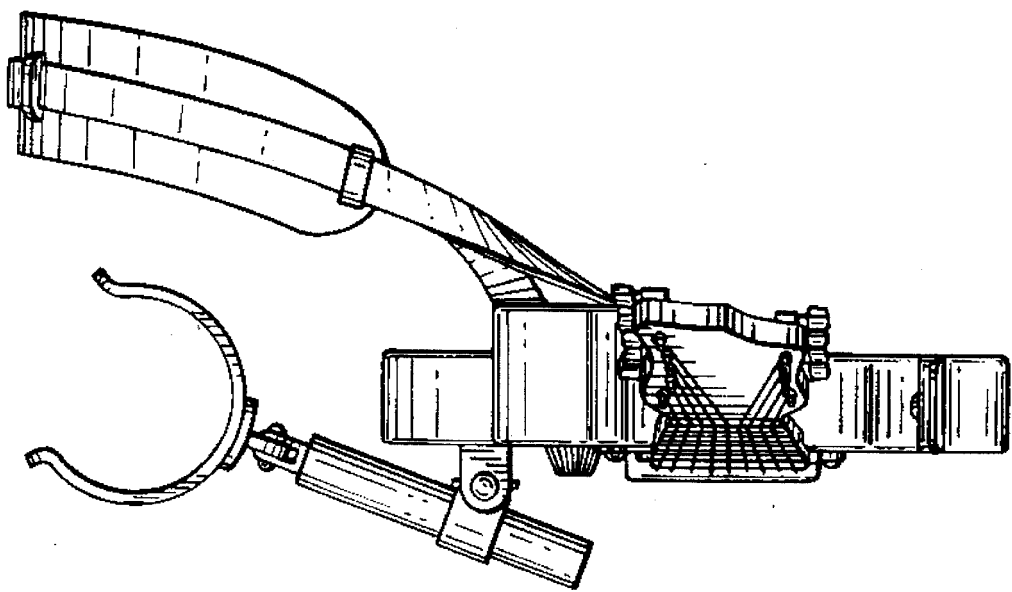
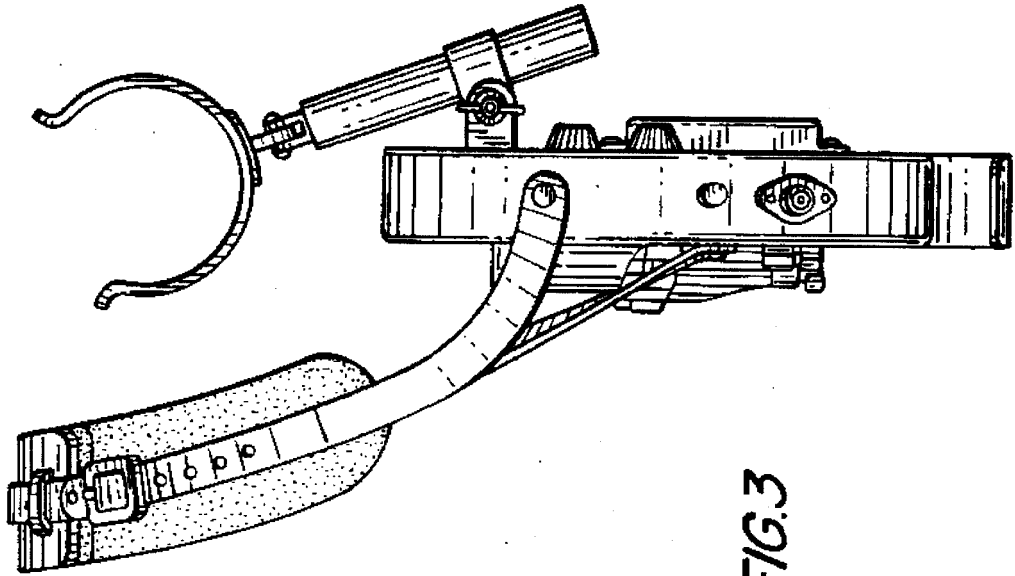
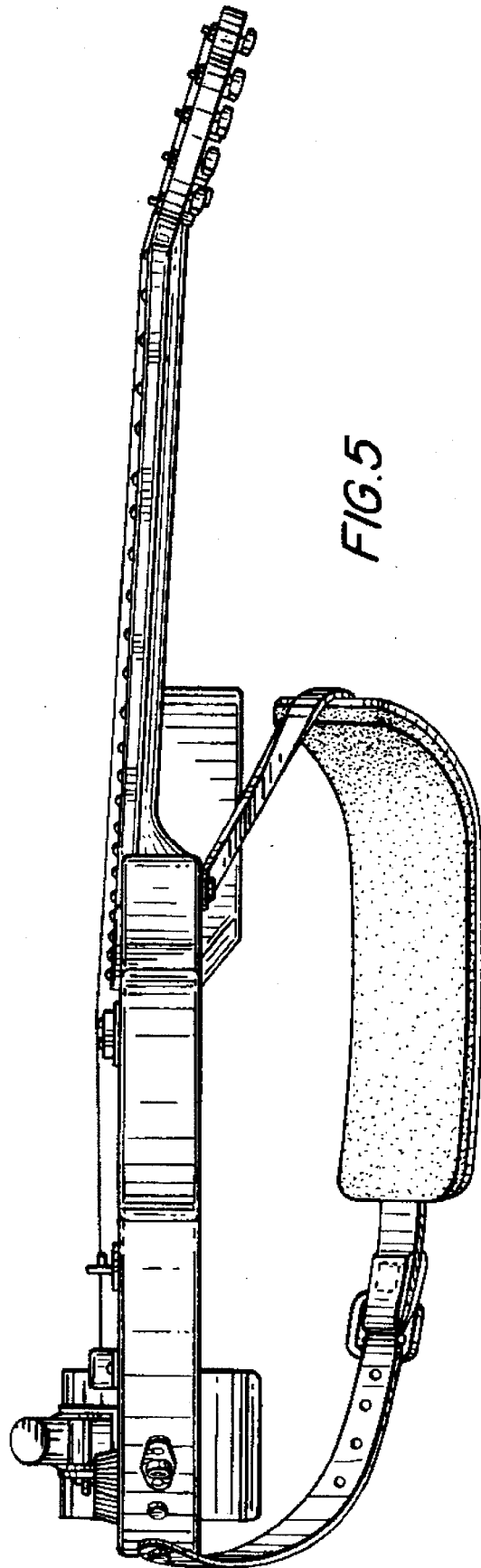


FIG. 4



FIG. 5



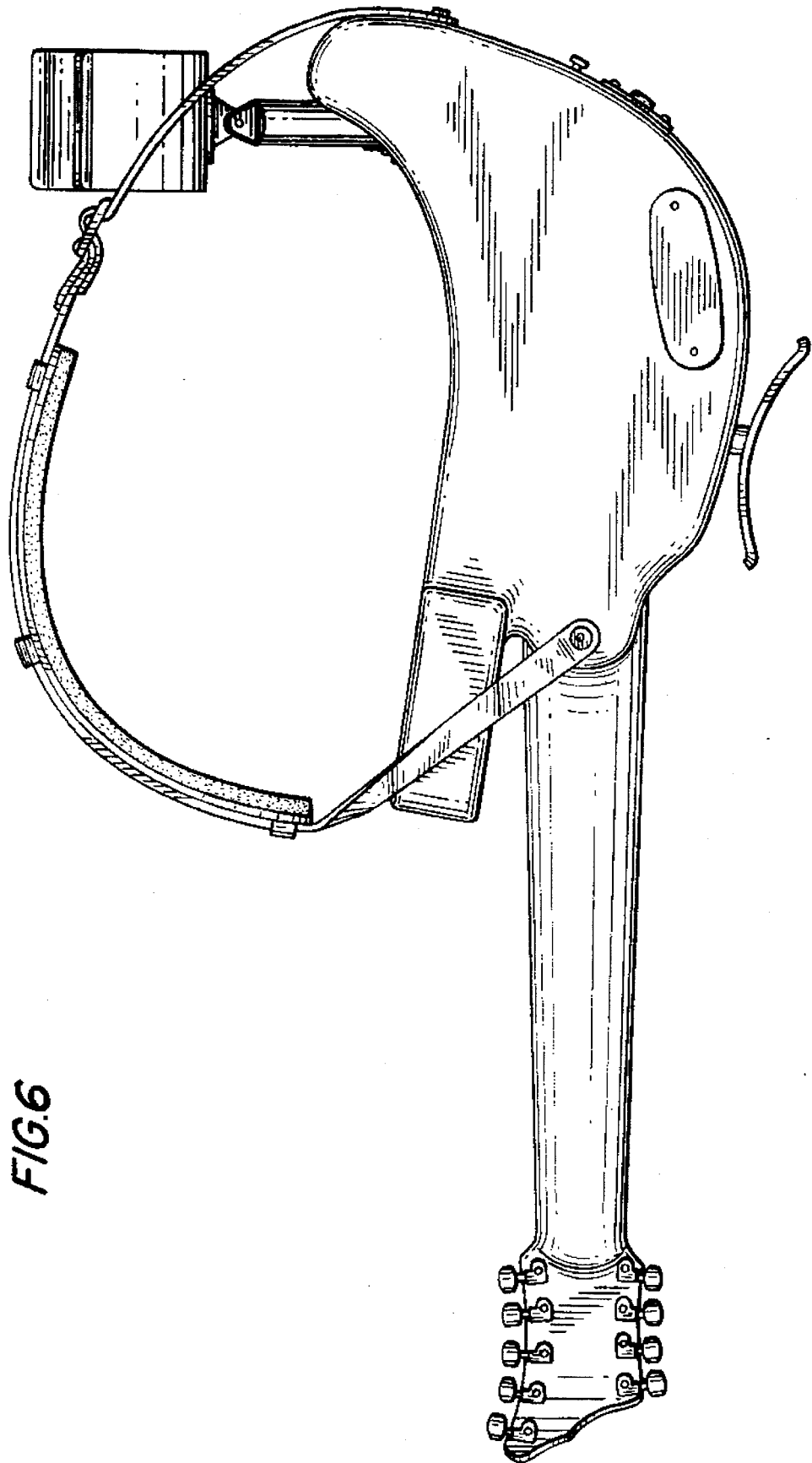


FIG. 6

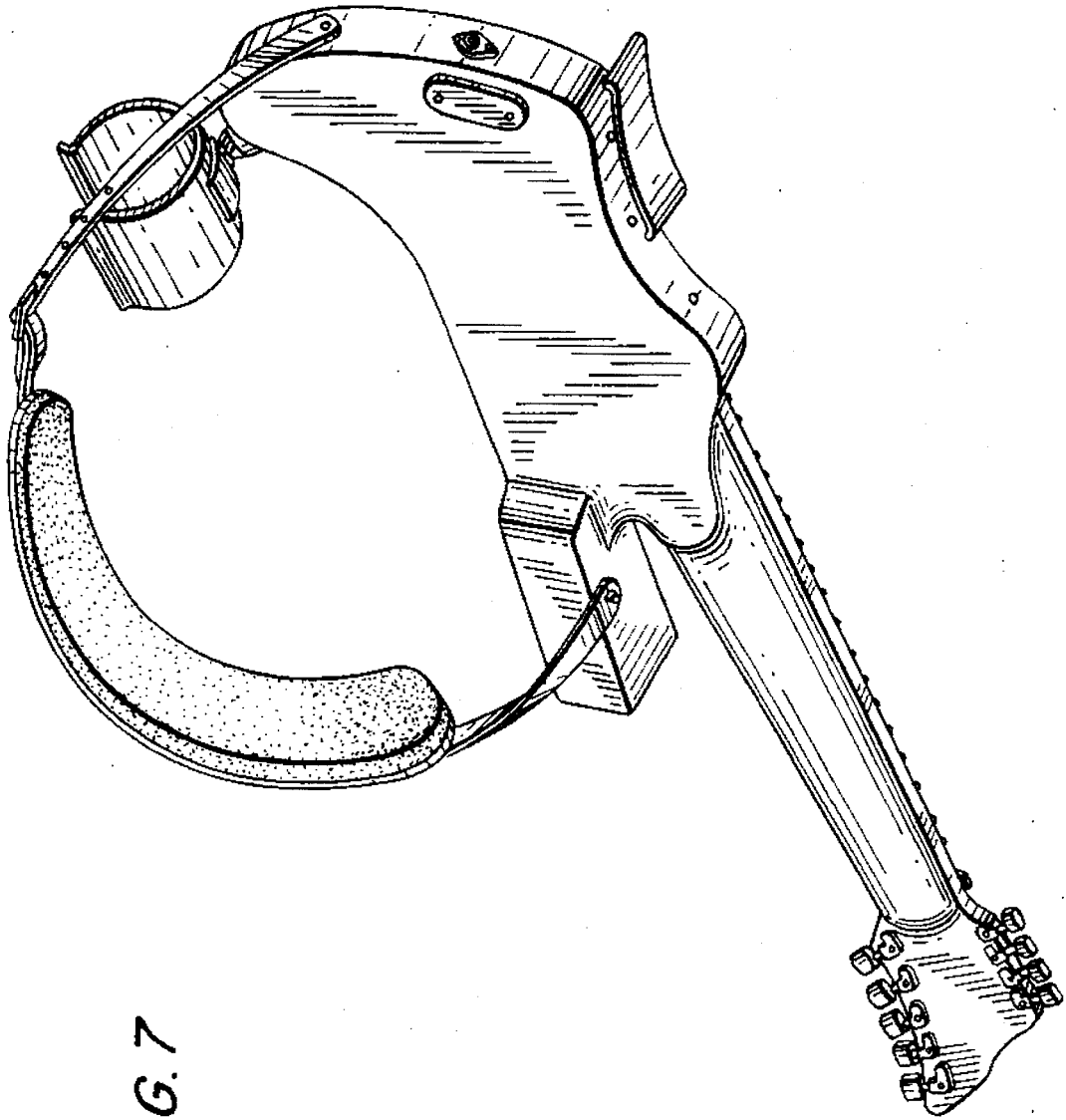


FIG. 7

FIG. 8

